

1 2 3 4 5 6

A

B

C

D

A

B

C

D

M12x1.75 THREAD x 1.00 DEEP
C'BORE DIA .492 x .236 DEEP

PRECISION GROUND
FOR DUAL CONTACT FIT

Ø1.81

Ø1.25

M8x1.25 THREAD x 0.79 DEEP

.65

Ø.335

Ø.605

Ø.72

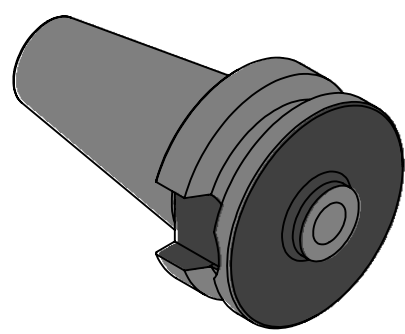
1.91

0

.04

.87

1.0



NOTES:

WORKS ON ALL BT30 MACHINES WITH DUAL CONTACT SPINDLES
COMPATIBLE WITH BIG-PLUS® SPINDLES
ACCEPTS M8 X 1.25 THREADED BODIES
FOR MORE PRODUCT DETAILS PLEASE GO TO MARITOO.COM
AND SEARCH ITEM # LISTED ON THIS PRINT

MARITOO

WWW.MARITOO.COM

ITEM#

BT30 TB8-1.0D

Made in USA

1 2 3 4 5 6